

## LPM-200 Series

# Laser Marking System



Model LPM-200

Model LPM-200 is a multi-purpose laser marking system and the most comprehensive available to the industrial user.

With its nature of excellent efficiency and high stability under operation, LPM-200 is capable of covering broad range of applications.

Because of making diode pumping modules and laser heads at the same house in Laser & Physics, we guarantee the best system performance by optimization.

### ▲ Features

- Multi-purpose
- Compact
- High stability
- Superior performance
- Broad range of applications

---

Laser & Physics Co., Ltd .

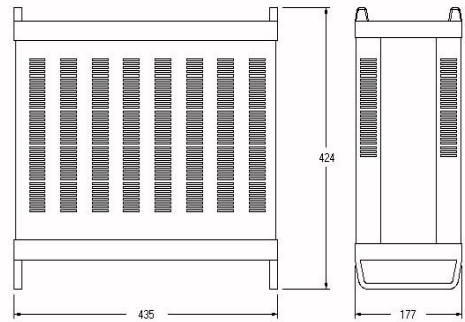
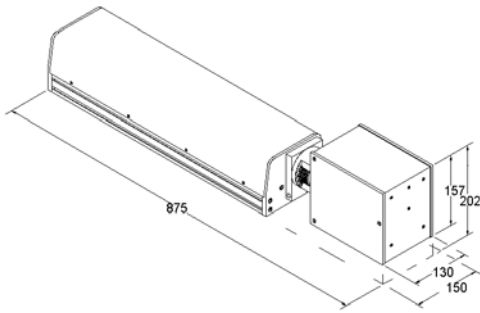


Laser & Physics

## ▲ Specifications

Laser type	DPSS Nd:YAG (DNA-B35P)	
Wavelength	1064nm	
Output power	CW 35Watts	
Marking area	300×300mm (Depends on lens)	
Marking speed	2m/sec (Depends on lens)	
Moving speed	14m/sec (Depends on lens)	
Controller	IBM compatible PC, Pentium processor, Windows 2000	
Display	Color LCD	
Scanner	Digital In/Out	
Dimension	Marking module	150(W) × 202(H) × 875(L)
	Electronic module	435(W) × 177(H) × 424(L)
Electricity	85 ~ 240V	

## ▲ Dimension



278-4, Maesan-Ri, Mohyun-Myeon, Yongin-Shi, Kyunggido Korea.

TEL : 82-31-322-1537 FAX :82-31-322-1536

E-Mail : laser@laser-physics.co.kr

http : www.laser-physics.co.kr

Laser & Physics Co., Ltd .

